

# INSTRUCTION MANUAL

## PC-2600 SERIES

(PC-2668, etc.)

### CEILING SPEAKER

#### ■ INSTALLATION

- 1 Fix the mounting bracket to the ceiling directly or through an outlet box depending on the ceiling material. Use the supplied tapping screws (4 x 20) for direct mounting (Figure 1), and the supplied screws (4 x 35) for mounting through an outlet box (Figure 2)
- 2 Hook one speaker spring in the spring catcher of the bracket (Figure 1)
- 3 Connect input cables to the speaker terminals, which allow bridge or branch connection.
- 4 Hook another speaker spring in another catcher. Then, press the speaker assembly to the mounting bracket (Figure 2). Force of the springs will keep the speaker in place.

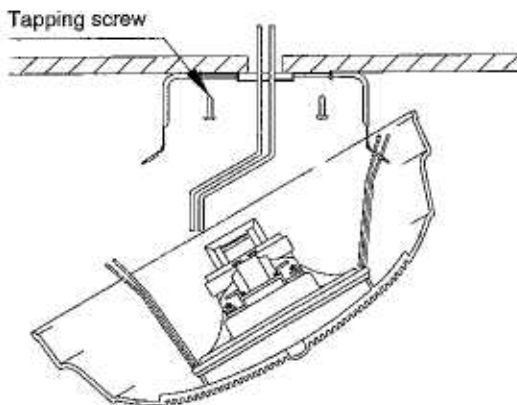


Figure 1. Direct mounting to the ceiling

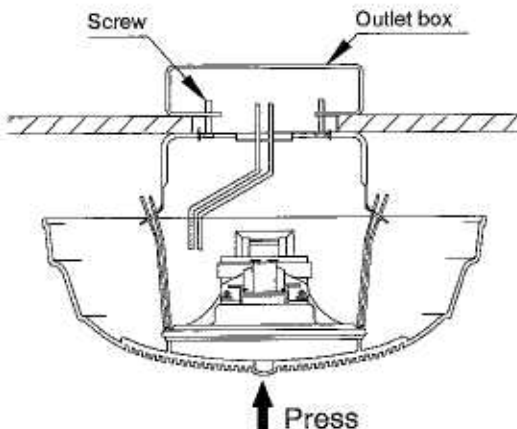


Figure 2. Mounting to the ceiling through an outlet box

#### ■ TERMINAL CONNECTION AND DISCONNECTION

1. Use the cables as specified below.  
 Solid wire (Copper) :  $\phi 0.8 - \phi 1.2 \text{ mm}$   
 Stranded wire (Copper):  $0.75 - 1.25 \text{ mm}^2$
2. Strip approximately 9mm of insulative jacket from the end of the cable using the cable strip-gauge provided on the terminal block.
3. Connect each cable to the appropriate terminal by simply inserting the cable until it will not go further (Each terminal is of quick-connection type.)  
 To disconnect the cable, press down the strip clip and pull the cable.

#### ■ WIRING SYSTEM

